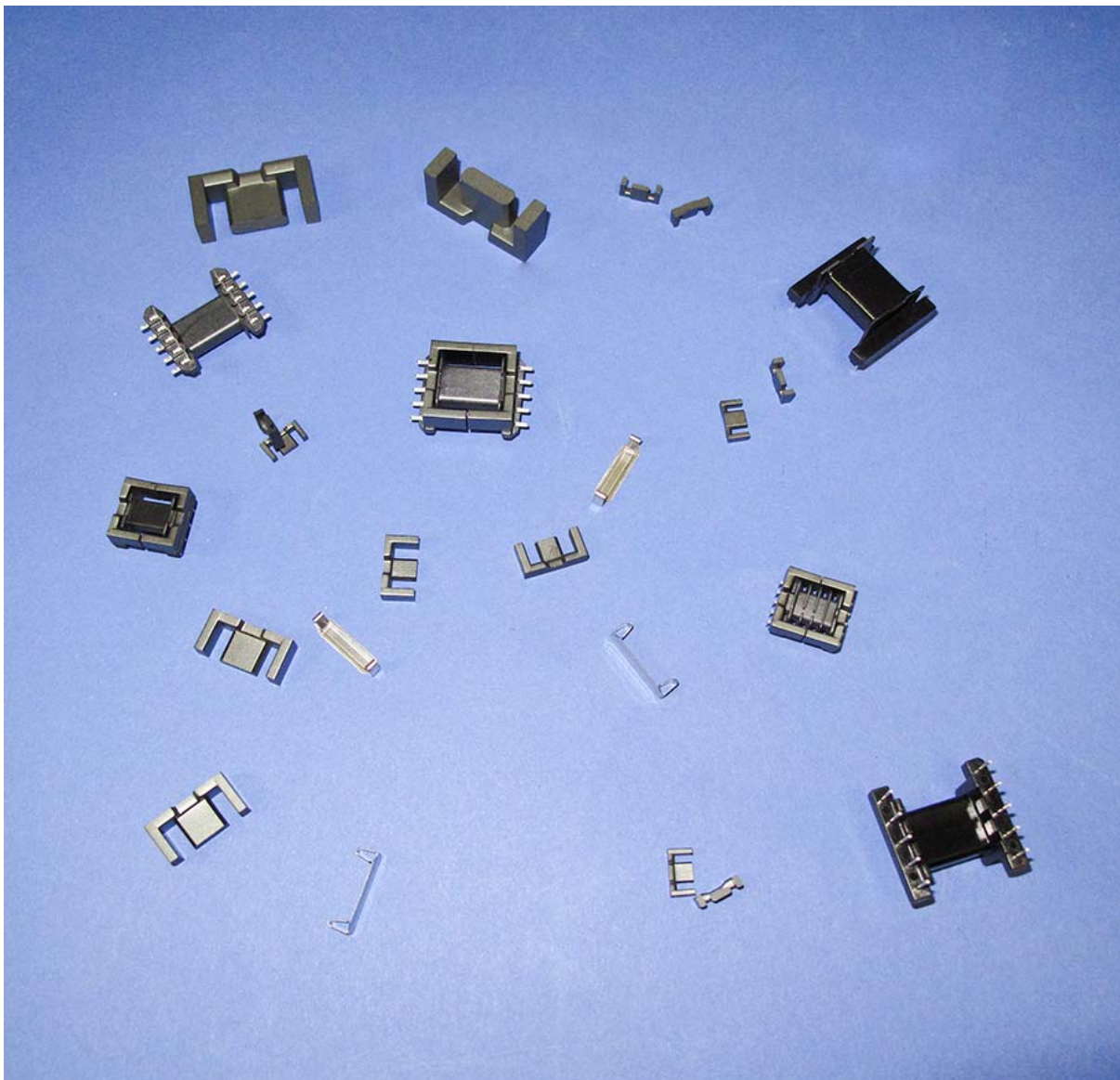




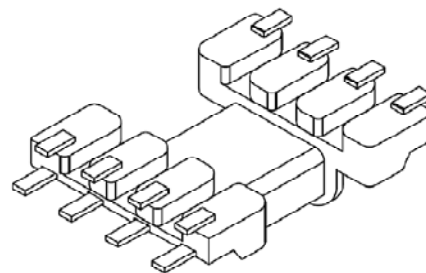
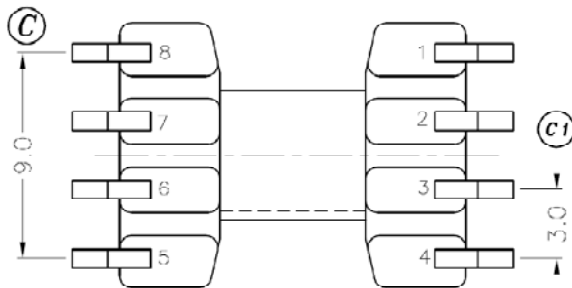
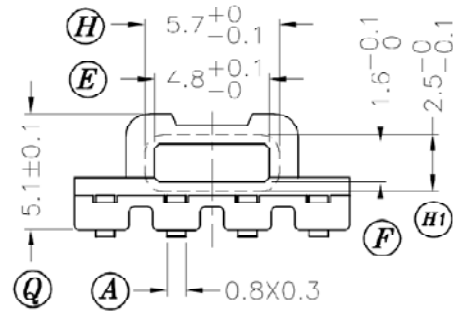
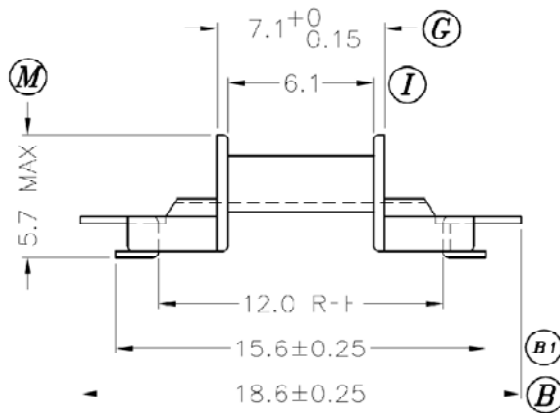
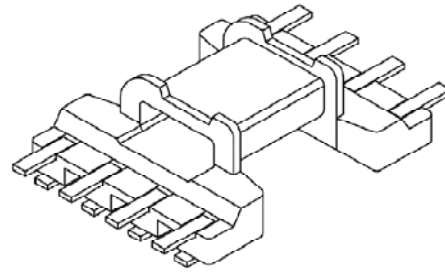
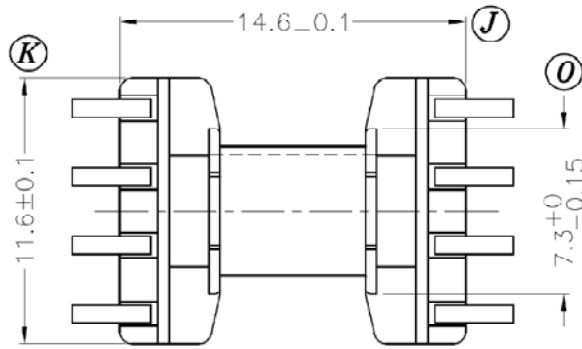
MH&W International Corp

Bobbins/Clips For Ferrite EFD Cores

Bobbins Made In China



BEFD10-118UDS-P



Dimensions in mm

Country of Origin: China | RoHS Certified: YES

Bobbin Material: Sumitomo PM9630

UL File: E41429 | UL Rec: 94-V0 | S-1008

MH&W International Corp

Phone 201-891-8800 | Email: sales@mhw-intl.com

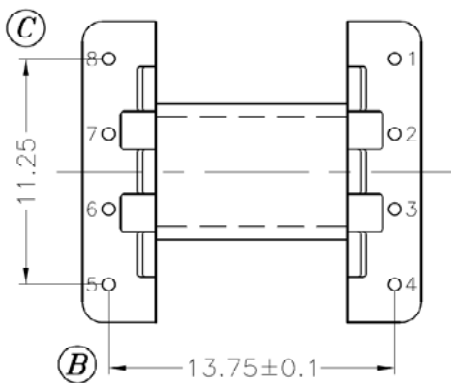
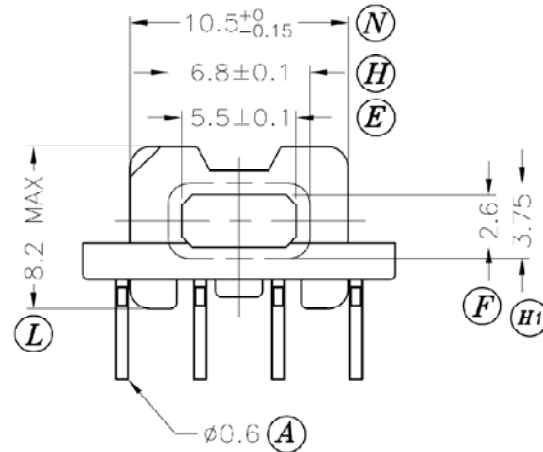
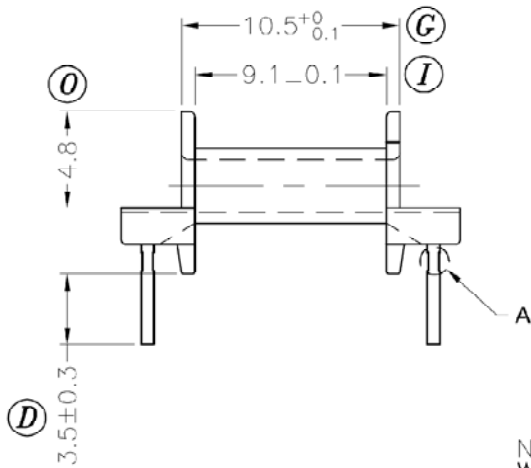
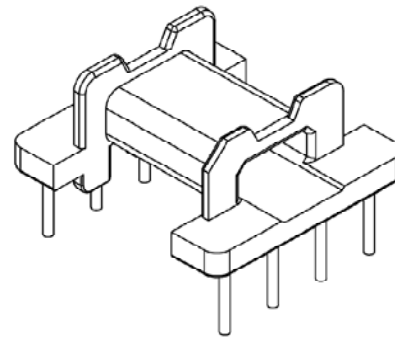
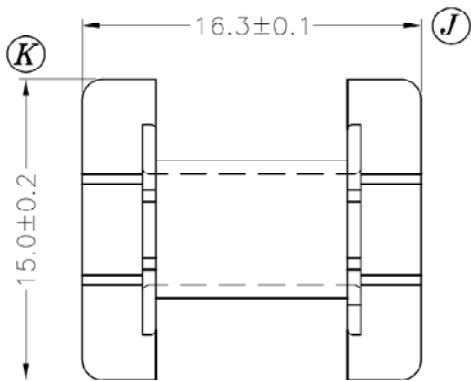
Drawing Number: BEFD10-118UDS-P

Pin Material: Steel Wire (CP)

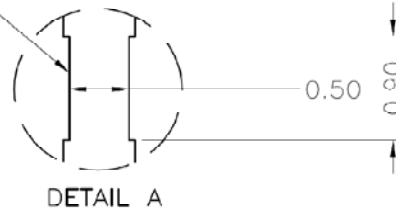
Pin Tension: 1.0Kgm min | Finish: e2 (JEDEC)

Part Number: BEFD10-118UDS-P

BEFD15-118CP-P



NCK FOR WRAPPING



Dimensions in mm

Country of Origin: China | RoHS Certified: YES

Bobbin Material: Sumitomo PM9630

UL File: E41429 | UL Rec: 94-V0 | P-1505

MH&W International Corp

Phone 201-891-8800 | Email: sales@mhw-intl.com

Drawing Number: BEFD15-118CP-P

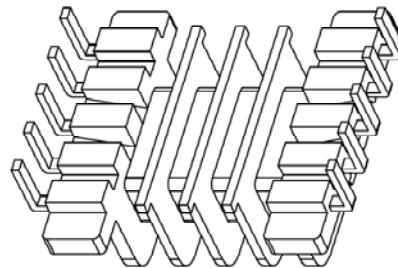
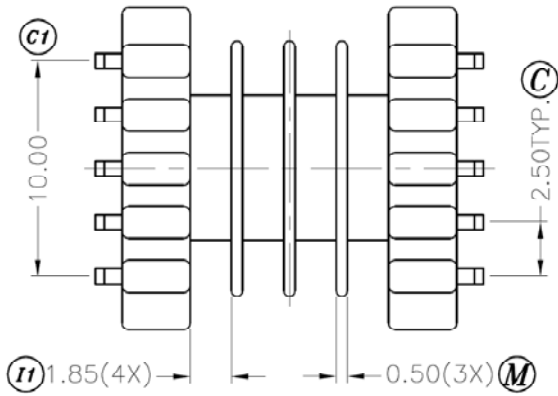
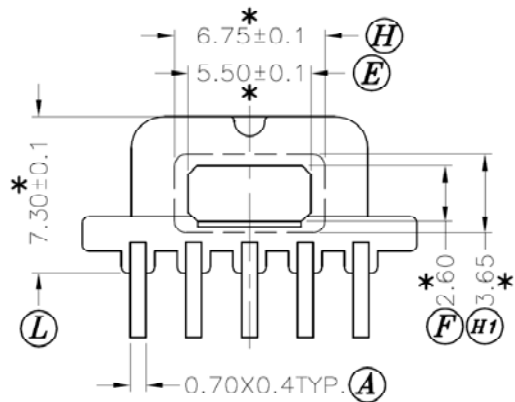
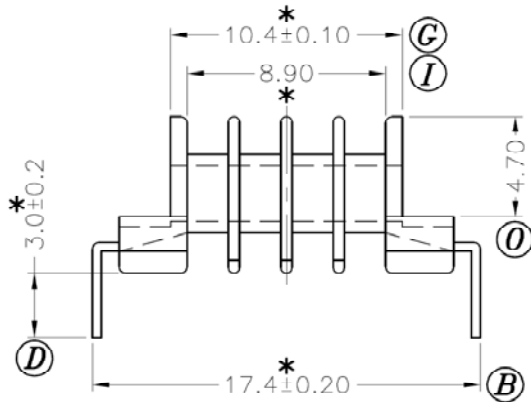
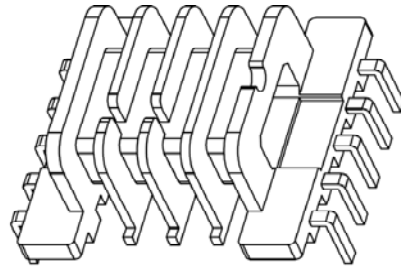
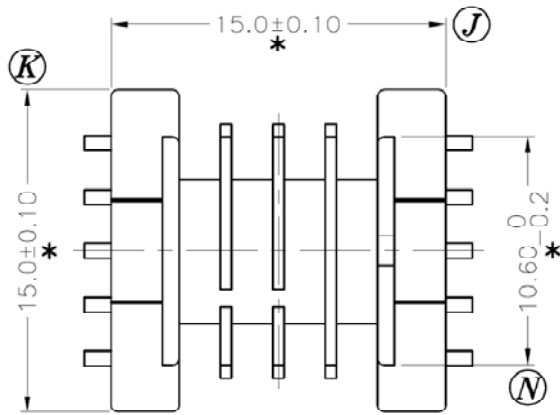
Pin Material: Steel Wire (CP)

Pin Tension: 0.9Kgm min | Finish: e2 (JEDEC)

Part Number: BEFD15-118CP-P

BEFD15-L410DS-P

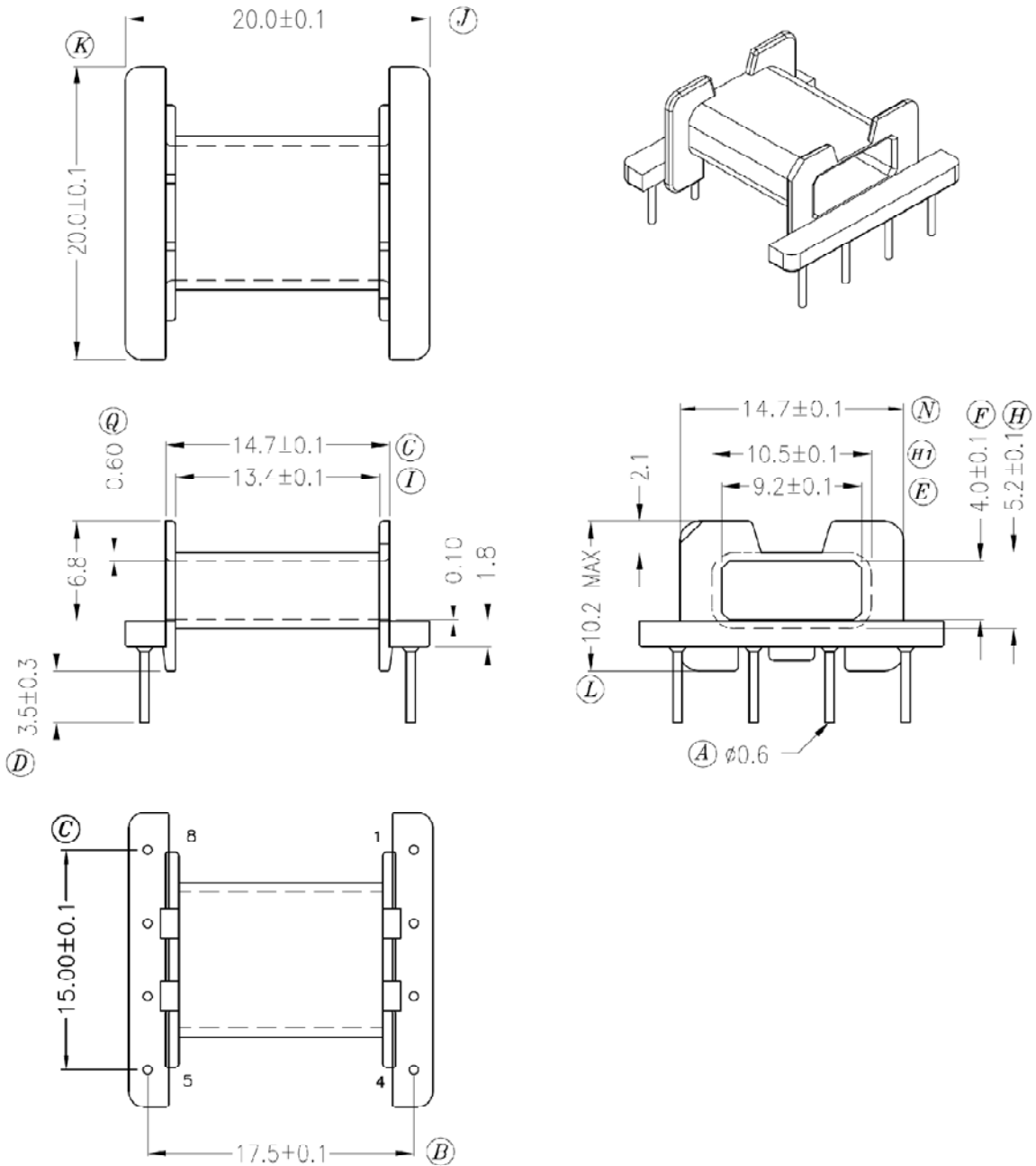
--	--



Dimensions in mm

Country of Origin: China		RoHS Certified: YES	
Bobbin Material: Sumitomo E4008 (k) (LCP)		Drawing Number: BEFD15-L410DS-P	
UL File: E54705	UL Rec: 94-V0	P-1507	Pin Material: Phosphor Bronze (DS)
MH&W International Corp Phone 201-891-8800 Email: sales@mhw-intl.com		Pin Tension: 0.9Kgm min	Finish: e2 (JEDEC)
		Part Number: BEFD15-L410DS-P	

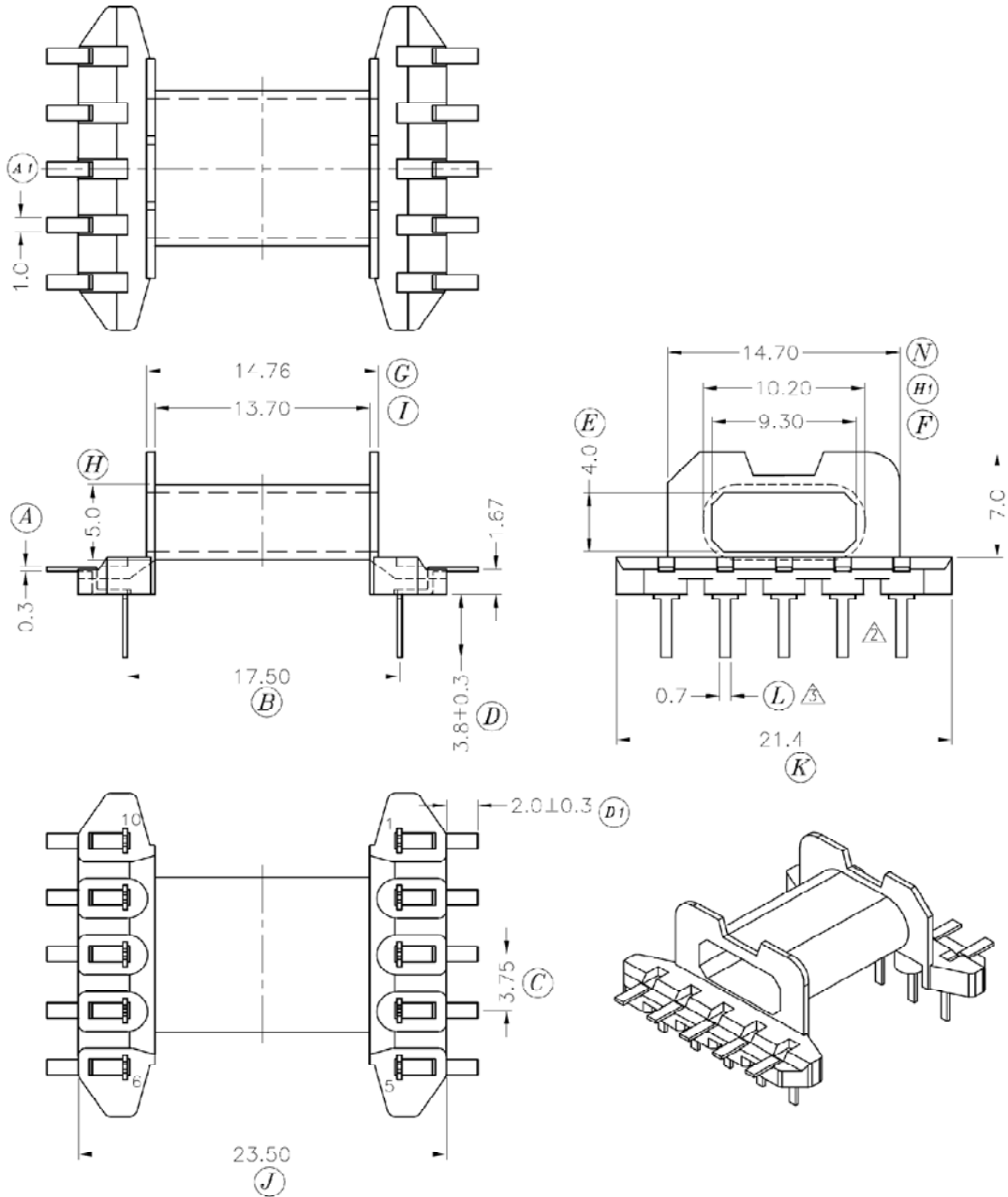
BEFD20-118CP-P



Dimensions in mm

Country of Origin: China	RoHS Certified: YES		
Bobbin Material: Sumitomo PM9630		Drawing Number: BEFD20-118CP-P	
UL File: E41429	UL Rec: 94-V0	P-2022	Pin Material: Steel Wire (CP)
MH&W International Corp Phone 201-891-8800 Email: sales@mhw-intl.com		Pin Tension: 1.0Kg min	Finish: e2 (JEDEC)
		Part Number: BEFD20-118CP-P	

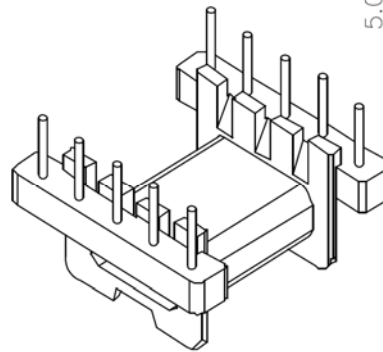
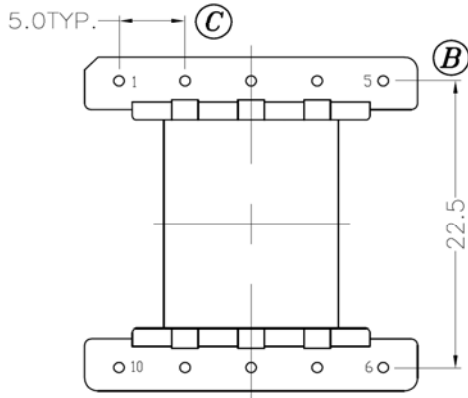
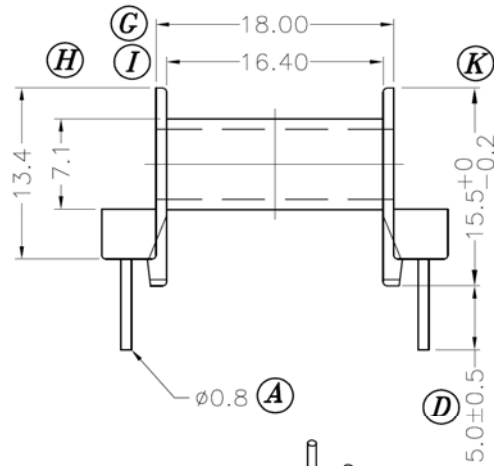
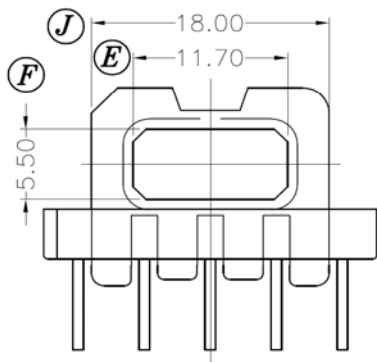
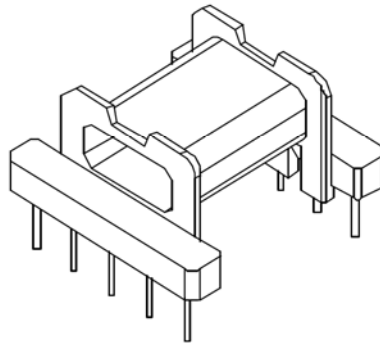
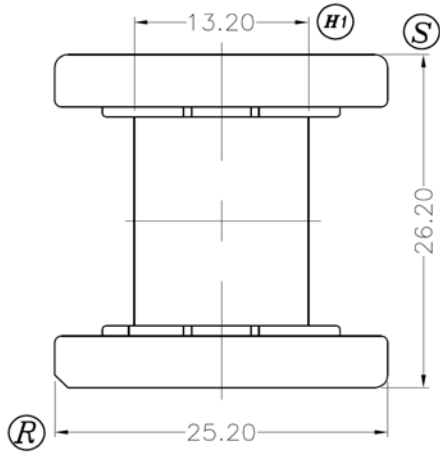
BEFD20-L110-P



Dimensions in mm

Country of Origin: China		RoHS Certified: YES	
Bobbin Material: Sumitomo E4008 (k) (LCP)		Drawing Number: BEFD20-L110-P	
UL File: E54705	UL Rec: 94-V0	P-2023-1	Pin Material: C-2680 Copper Brass
MH&W International Corp		Pin Tension: 1.5Kg min	Finish: e2 (JEDEC)
Phone 201-891-8800 Email: sales@mhw-intl.com		Part Number: BEFD20-L110-P	

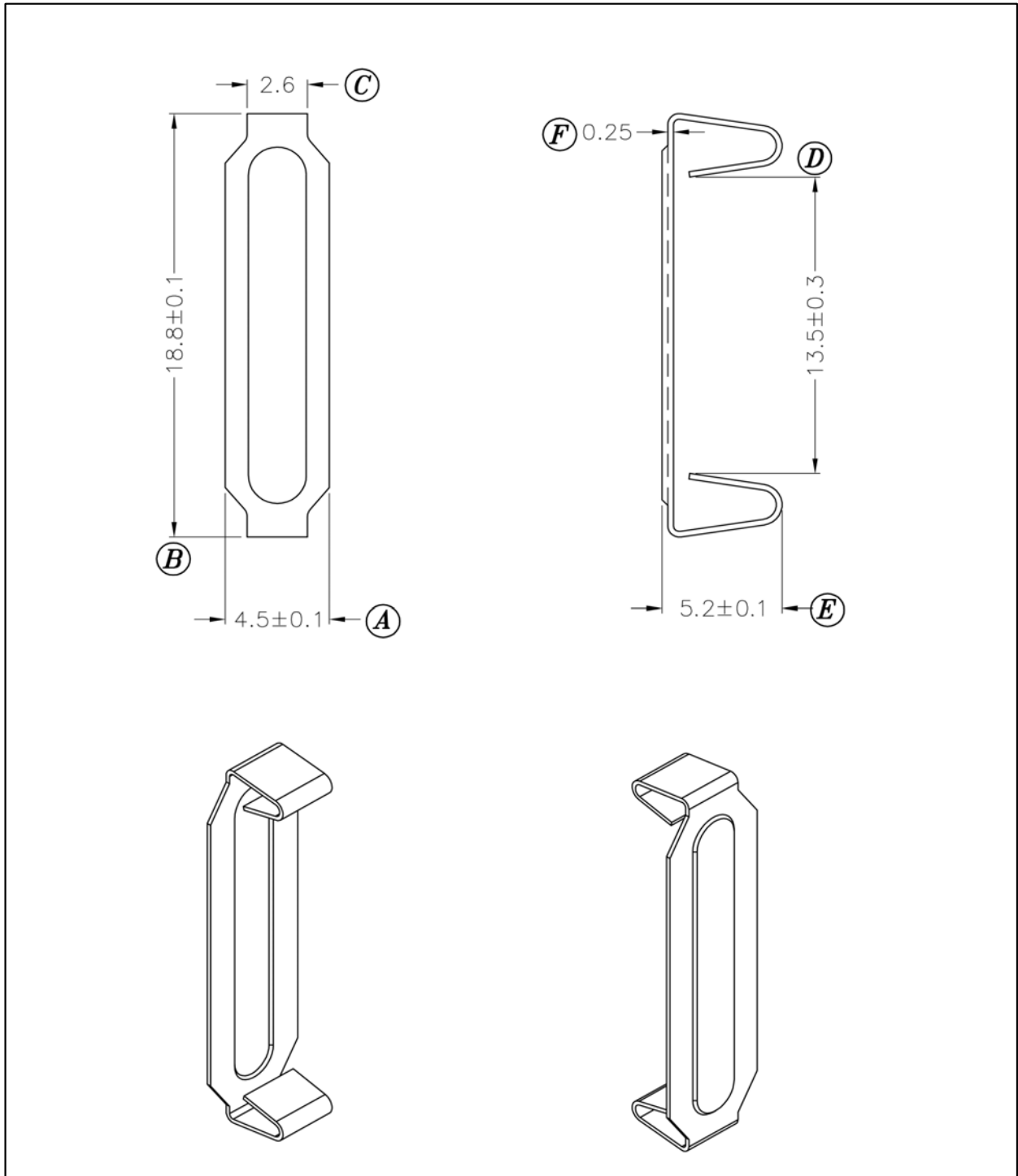
BEFD25-1110CP-P



Dimensions in mm

Country of Origin: China		RoHS Certified: YES	
Bobbin Material: Chang Shun Plastics T375J		Drawing Number: BEFD25-1110CP-P	
UL File: E59481	UL Rec: 94-V0	P-2512	Pin Material: Steel Wire (CP)
MH&W International Corp		Pin Tension: 1.5Kgm min	Finish: e3 (JEDEC)
Phone 201-891-8800 Email: sales@mhw-intl.com		Part Number: BEFD25-1110CP-P	

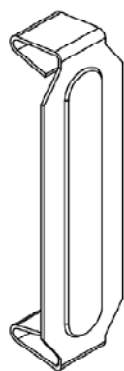
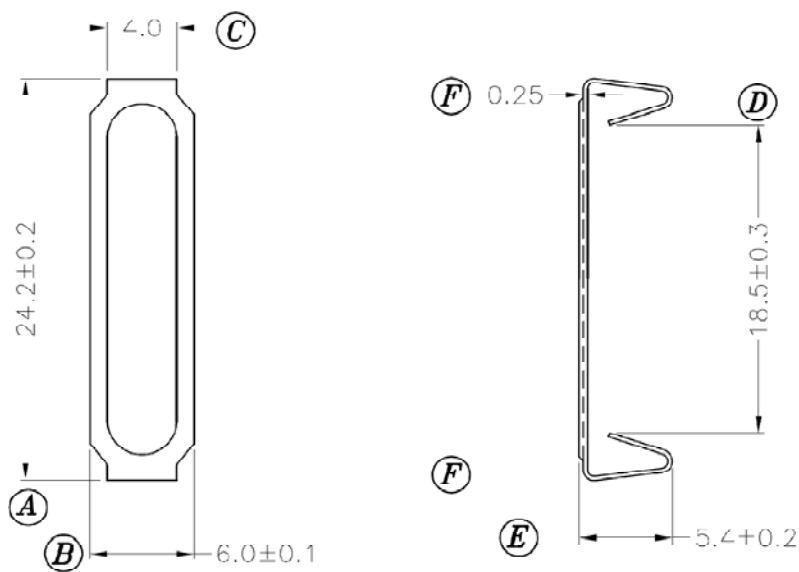
FEFD15-SS-P



Dimensions in mm

Country of Origin: China	RoHS Certified: YES	Drawing Number: FEFD15-SS-P	
MH&W International Corp		Material: Stainless Steel	Finish: N/A
Phone 201-891-8800 Email: sales@mhw-intl.com		Part Number: FEFD15-SS-P	Item ID: C-040

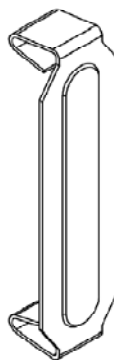
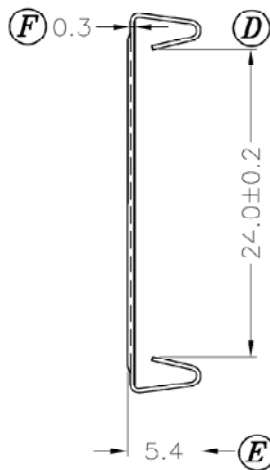
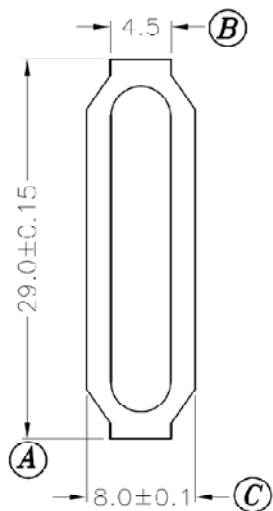
FEFD20-SS-P



Dimensions in mm

Country of Origin: China	RoHS Certified: YES	Drawing Number: FEFD20-SS-P	
MH&W International Corp Phone 201-891-8800 Email: sales@mhw-intl.com		Material: Stainless Steel	Finish: N/A
		Part Number: FEFD20-SS-P	Item ID: C-042

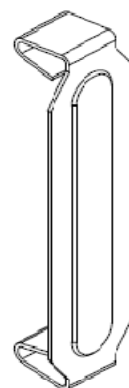
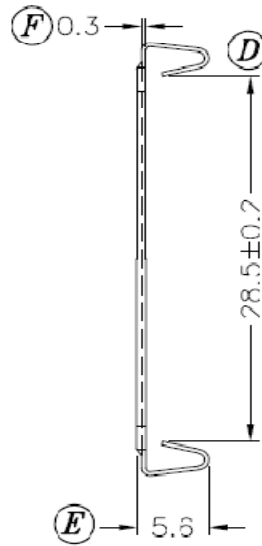
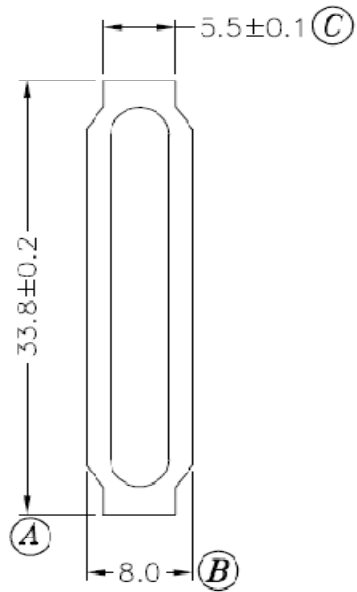
FEFD25-SS-P



Dimensions in mm

Country of Origin: China	RoHS Certified: YES	Drawing Number: FEFD25-SS-P	
MH&W International Corp		Material: Stainless Steel	Finish: N/A
Phone 201-891-8800 Email: sales@mhw-intl.com		Part Number: FEFD25-SS-P	Item ID: C-044

FEFD-30-SS-P



Country of Origin: China	RoHS Certified: YES	Drawing Number: FEFD-30-SS-P	
MH&W International Corp Phone 201-891-8800 Email: sales@mhw-intl.com		Material: Stainless Steel	Finish: No Plating
		Part Number: FEFD-30-SS-P	